



Three Piece Design, Full Bore, 1000 Psi

Fig No:EL-158

Full Port 1/4"~4" (DN 8 ~ DN 100)



Valve Specification :

Design specification according to EN 12516-3

Material:Stainless steel, carbon steel or special alloy upon request

Blow-out-proof stem design & Anti-static design

Stem packing to comply with **TA-Luft** requirements

Actuator mounting shall be in accordance with ISO 5211

In-Line Maintenance

End connection : Threaded / Socket Weld / Butt Weld / Flanged

Working Pressure (CWP) :

Threaded / Socket Weld / Butt Weld : 1000 Psi

Flanged : EN 12516-1 PN 40

Temperature Range : -4 to 356 °F (-20 to 180 °C)

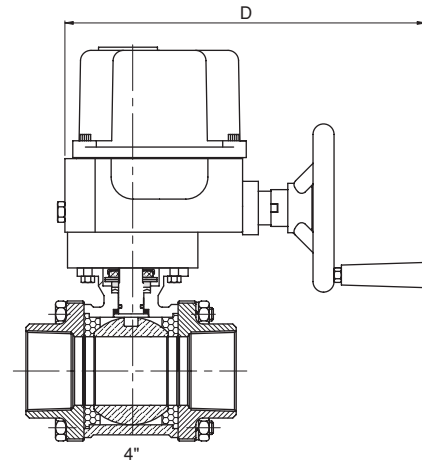
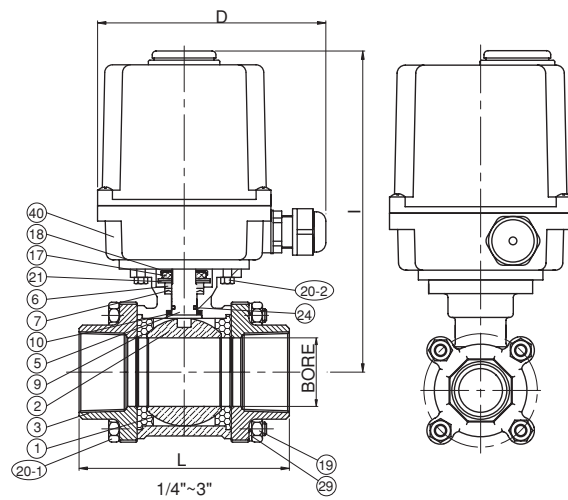
Pressure Test According to API 598

Shell test by water : 1500 Psi

Closure seat by Air : 80 ~ 100 Psi

MATERIALS LIST

NO	PART NAME	MATERIAL	Q'TY
1	BODY	ASTM A351 GR. CF8M	1
2	BALL	ASTM A351 GR. CF8M	1
3	END CAP	ASTM A351 GR. CF8M	2
5	STEM	SS316	1
6	FOLLOWER	SS304	1
7	STEM PACKING	PTFE.	1 SET
9	SEAT	PTFE.	2
10	THRUST WASHER	PTFE.	1
17	STEM NUT	SS304	1
18	TAB WASHER	SS304	1
19	BOLT NUT	SS304	4~12
20-1	BOLT	SS304	4~12
20-2	BOLT	SS304	4
21	BEVELILLE WASHER	SS301	1 SET
24	O-RING	VITON	1
29	BOLT WASHER	SS304	4~12
40	ELECTRIC ACTUATOR	NYLON	1



DIMENSIONS

SIZE	1/4"		3/8"		1/2"		3/4"		1"		1-1/4"		1-1/2"		2"		2-1/2"		3"		4"																					
	UMS	UM-1	UMS	UM-1	UMS	UM-1	UMS	UM-1	UM-1	UM-1	UM-1	UM-1	UM-1	UM-1	UM-1	UM-1	UM-1	UM-1	UM-1	UM-1	UM-1	UM-1																				
ELECTRIC FIG.	110 VAC	220 VAC	24 VAC	24 DVC	110 VAC	220 VAC	24 VAC	24 DVC	110 VAC	220 VAC	24 VAC	24 DVC	110 VAC	220 VAC	24 VAC	24 DVC	110 VAC	220 VAC	110 VAC	220 VAC	110 VAC	220 VAC	110 VAC	220 VAC																		
VOLTAGE	110 VAC	220 VAC	24 VAC	24 DVC	110 VAC	220 VAC	24 VAC	24 DVC	110 VAC	220 VAC	24 VAC	24 DVC	110 VAC	220 VAC	24 VAC	24 DVC	110 VAC	220 VAC	110 VAC	220 VAC	110 VAC	220 VAC	110 VAC	220 VAC																		
BORE	11.5		12.5		15.0		20.0		25.0		32.0		40.0		50.0		65.0		80.0		100.0																					
D	136.2	136.2	136.2	148.0	136.2	136.2	136.2	148.0	136.2	136.2	136.2	148.0	148.0	148.0	148.0	148.0	148.0	148.0	200.0	200.0	200.0	200.0	200.0	200.0	350.0	350.0	350.0	350.0														
I	134.5	134.5	134.5	181.0	134.5	134.5	134.5	181.0	134.5	134.5	181.0	120.0	120.0	120.0	166.5	124.3	124.3	124.3	170.8	173.5	173.5	173.5	173.5	181.4	181.4	181.4	185.8	185.8	185.8	185.8	219.4	219.4	219.4	219.4	224.2	224.2	224.2	224.2	316.9	316.9	316.9	316.9
L	63.5		63.5		63.5		72.5		81.0		94.5		108.0		121.5		157.5		190.0		225.0																					

Unit:mm